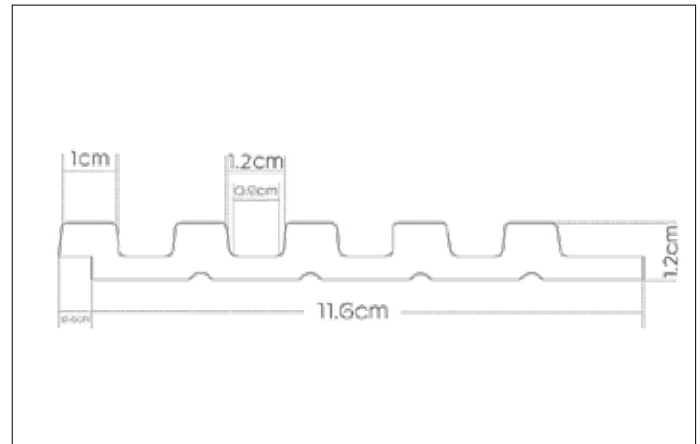
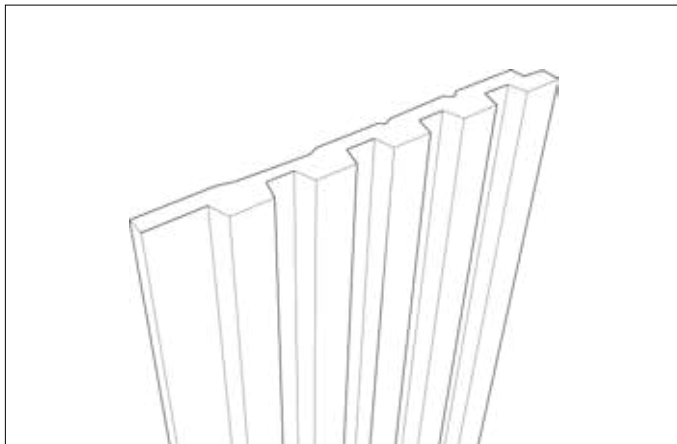


Collection

DUVAL

page: 1/2



Product Specifications

composition:	100% polistyren (95% recycled material)	
	waterproof	100%
properties:	fire resistance	EN 13501-1: 2019-02 ISO11925-2:2000 fire class E
	heavy metals	not detected
	formaldehyde	not detected
	radioactivity	not detected

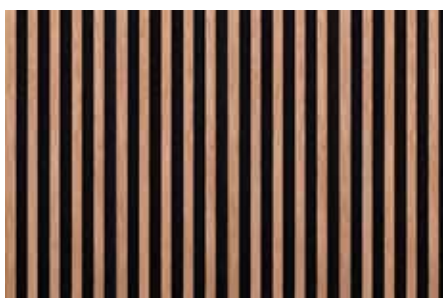
Panel dimensions:

length [cm]	270
width [cm]	12,2
depth [cm]	1,2
net weight [kg]	1,13

Collective packaging:

dimensions (length/width/depth) [cm]	275 x 14 x 23
quantity in package	19
net weight [kg]	21,45
gross weight [kg]	23
package volume [m ³]	0,0847

Colors:



oak gold-black
PA4867



oak craft-black
PA4870



silver-black
PA4871

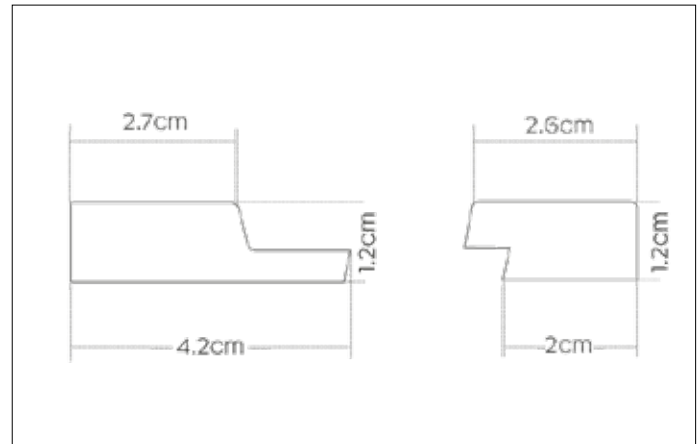
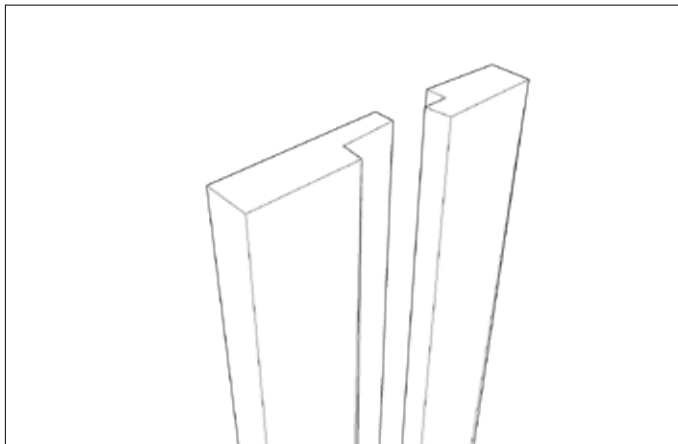
Azzardo Sp. z o.o.
ul. Strzeszyńska 33 60-479 Poznań,
NIP: 929-185-75-07

panelio.eu

Finishing trims

DUVAL

page: 2/2



Product Specifications: [see page 1](#)

Finishing trims dimensions:

length [cm]	left	270	right	270
width [cm]		2,7/4,2		2,6/2
depth [cm]		1,2		1,2
net weight [kg]		0,43		0,3

Collective packaging:

dimensions (length/width/depth) [cm]	left	275 x 14 x 22	right	275 x 14 x 22
quantity in package		55		88
net weight [kg]		≈24		≈26,25
gross weight [kg]		≈25,50		≈28
package volume [m ³]		0,0847		0,091

Colors:



oak gold-black
right PA4868
left PA4869



oak craft-black
right PA4881
left PA4882



silver-black
right PA4883
left PA4884

Azzardo Sp. z o.o.
ul. Strzeszyńska 33 60-479 Poznań,
NIP: 929-185-75-07

panelio.eu

ISO5660 - Report No. 7287 of the day 2022-05-19

Test method /norm	ISO5660-1:2015
Material/product	Panel ścienny
Manufacturer/supplier	Azzardo Sp. z o.o.
Sponsor	Azzardo Sp. z o.o.
Testing laboratory name	Sychta Laboratorium
Operator	Andrzej Sychta
Set of findings	Panel ścienny_p01 (ISO5660).txt
Current control	YES
Comment/ observation	

Data of specimen		Environmental conditions		Data of apparatus	
Number	1	Environmental temperature	21 °C	Exhaust flow rate	24 dm ³ /s
Mass	50,64 g	Barometric pressure	1020 hPa	Exhaust diameter	0,114 m
Thickness	12,16 mm	Humidity	39 %	Calibration constant	0,037
Surface area	0,008836 m ²	Test conditions		Oxygen consumption constant	13,10 kJ/g
Density	416,4 kg/m ³	Irradiance	50 kW/m ²	O ₂ analyzer delay	9 s
Conditioning according to	ISO5660	External ignition	YES	CO ₂ analyzer delay	9 s
		Distance	25 mm	CO analyzer delay	9 s
		Wire mesh	NO		

Final findings

Ignition time	4 s	Extinction time	391 s
Duration of the test	1200 s	Termination of the test according to	ISO5660-1:2015 pkt 11.3.5
Fire integrity	NO		

	Maximum value	Time of arrival of the value
Heat release rate HRR	4,119 kW (466,18 kW/m ²)	282 s
Average heat release rate (MARHE)	385,52 kW/m²	320 s
Total heat release	145,7 MJ/m ²	1200 s
Effective combustion heat	26,1 MJ/kg	
Maximum mass loss rate	0,22 g/s	272 s
Mass loss	49,36 g	514 s
Average mass loss rate (see 13v standard)	16,144 g/m ² *s	
Smoke production rate	0,2652 m ² /s	262 s
Total smoke production per unit area	8322,0 m ² /m ²	1200 s
Total smoke production	73,5 m ²	1200 s
Carbon dioxide yield	5,381 kg/kg	
Carbon monoxide yield	0,200 kg/kg	
Oxygen consumption	3,49 %	294 s

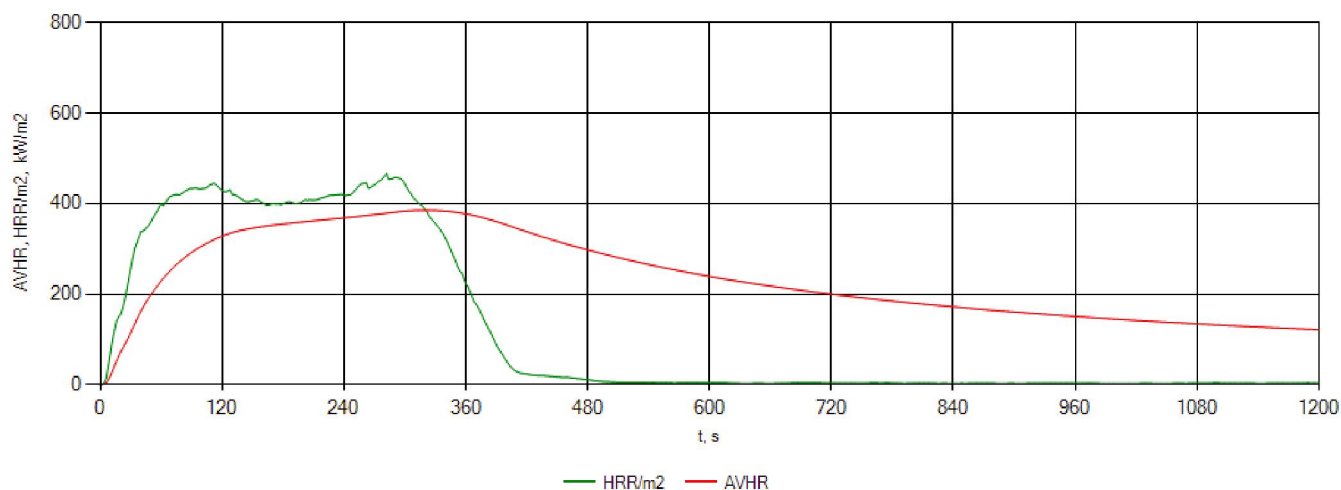
Indirect values

	<i>before ignition</i>	<i>after ignition</i>	<i>after</i>	<i>after</i>	<i>after</i>	
1. before and after the ignition for times	0 s - 4 s	4 s - 390 s	180 s	300 s	600 s	
Average heat release rate, kW/m ²	2,03	358,61	355,18	383,78	239,49	
Total heat release, MJ/m ²	0,0	140,6	63,9	115,1	143,7	
Mass loss rate, g/s	0,000	0,127	0,133	0,137	0,082	
Mass loss, g	0,00	48,87	23,86	41,05	49,36	
Total smoke production per unit area, m ² /m ²	0,1	6768,8	3123,9	5554,4	7297,2	
Total smoke production, m ²	0,0	59,8	27,6	49,1	64,5	
Carbon dioxide yield, kg/kg	0,000	5,257	2,452	4,370	5,351	
Carbon monoxide yield, kg/kg	0,000	0,195	0,097	0,165	0,200	
2. after the ignition for times	1 min	2 min	3 min	4 min	5 min	6 min
Average heat release rate, kW/m ²	240,08	331,62	356,18	369,64	384,46	375,88
Total heat release, MJ/m ²	15,4	41,1	65,5	90,2	116,9	136,8
Mass loss rate, g/s	0,107	0,129	0,133	0,134	0,137	0,132
Mass loss, g	6,85	15,97	24,51	32,71	41,63	48,06
Total smoke production per unit area, m ² /m ²	804,7	2024,8	3205,7	4405,1	5629,9	6588,5
Total smoke production, m ²	7,1	17,9	28,3	38,9	49,7	58,2
Carbon dioxide yield, kg/kg	0,605	1,597	2,512	3,437	4,433	5,133
Carbon monoxide yield, kg/kg	0,025	0,064	0,099	0,132	0,168	0,192

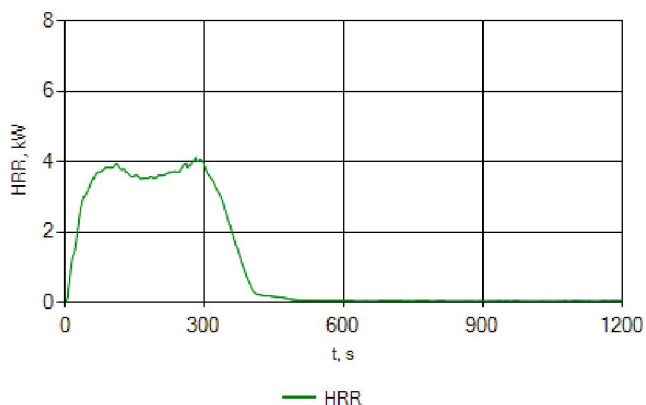
ISO5660 - Report No. 7287 of the day 2022-05-19

Graphs depicting the course of the measurement

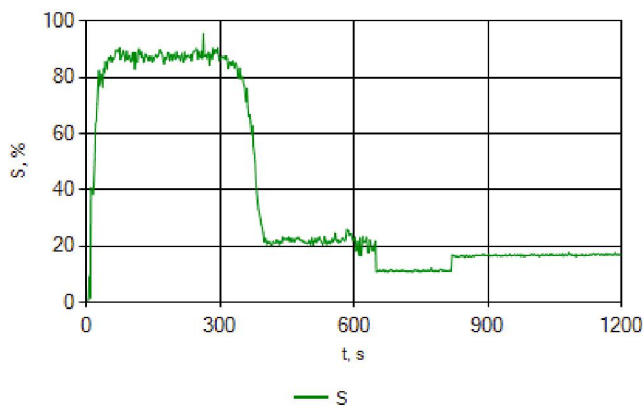
Heat release rate (HRR/m²) and average heat emission (AVHR)



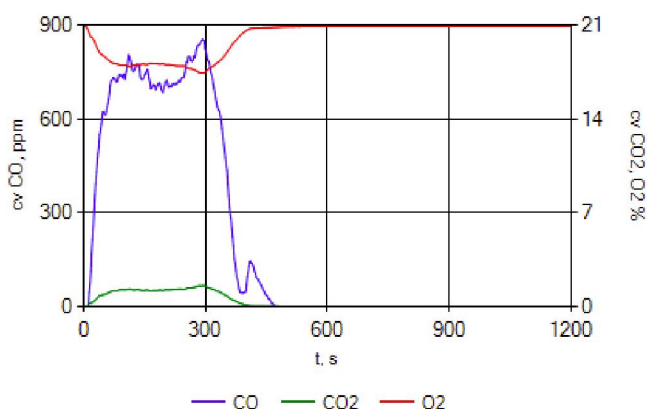
Heat release rate (HRR)



Light attenuation



Volume concentration, CO, CO₂ and O₂



Mass loss

